

FAWN 180

NEON BASED AVIATION OBSTRUCTION LIGHT



Mechanical Data

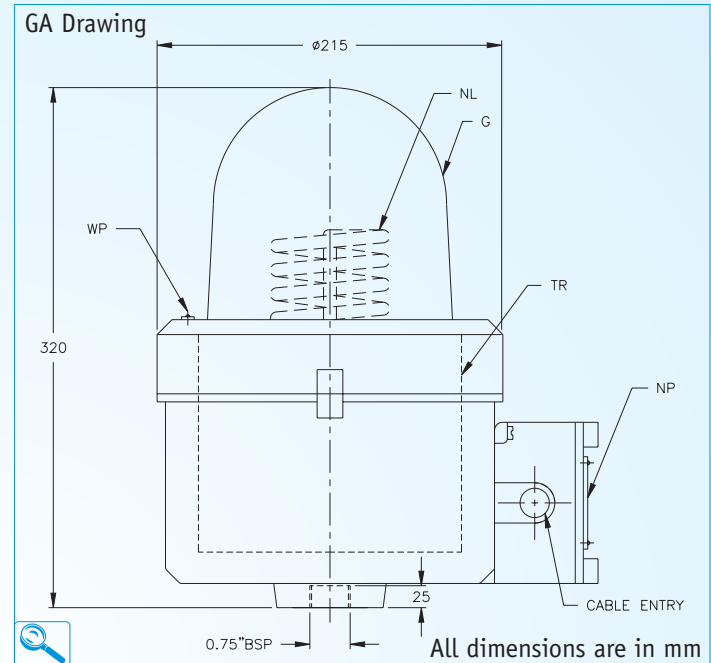
Material	: Aluminium LM6
Weight	: 9.0 Kg
IP Protection	: IP 65 IS:2148-2004 (IEC 60079-1/2001)
Finish	: Anti corrosive Epoxy powder coated - yellow shade
Cable Entry	: 2 x 3/4 " ET
Glass	: Toughened Borosilicate
Gasket	: Neoprene
Hardware	: Stainless Steel

Electrical Data

Voltage	V : 2.5 KV AC , 50 Hz
Lamp Wattage	W : 75 W
Wiring	: Fibreglass class F insulated 2.5 sq.mm Stranded copper
Max. Cable size	: 3 x 6 sq.mm
Insulators	: Glass fibre reinforced DMC
Earthing	: External 2 Nos - M6 Internal 1 No - M5

Description

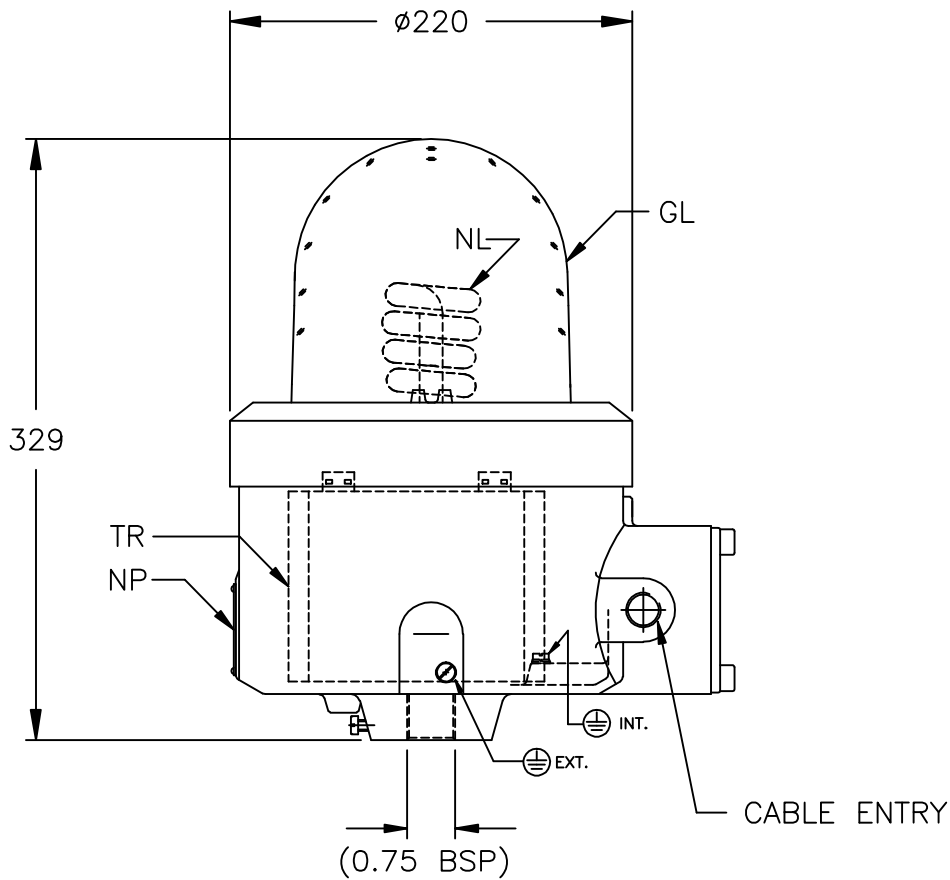
Explosion proof Neon Aviation Obstruction Luminaire, 75W, 2.5KV, 30mA (Neon aviation obstruction lamp) with an integral control gear. A toughened clear glass which is cemented into a retaining ring is bolted to the main body. The control gear along with the lamp holder is mounted on suitable brackets for ease of wiring and proper heat dissipation.



Type of protection	Flame Proof - Exd
Area Classification	Zone 1 & 2
Gas Groups	Group I, II A ,II B
Apparatus Standard	IP 65 IS:2148-2004 (IEC 60079-1/2001)
CIMFR Certificate No.	CIMFR/TC/SR/H1203
Approvals	CCE, BIS
Temp Rating	T3
Wattage Rating	75 W

IF IN DOUBT ASK

DO NOT SCALE



NOTE:—

G — WELLGLASS (TOUGHENED BOROSILICATE CLEAR GLASS)

NL — NEON LAMP (75W, 2.5KV, 30mA)

TR — STEP UP TRANSFORMER (230V/2.5KV)

NP & WP — NAME & WARNING PLATE (SS)

EARTHING — 2Nos. EXTERNAL & 1No. INTERNAL

ALL DIMENSIONS ARE IN MM.

E	CABLE ENTRY: 2Nos. 0.75 ET		CUSTOMER : —		TITLE : EXPLOSIONPROOF NEON AVIATION OBSTRUCTION LAMP				
			CONSULTANT : —		CAT No : FAWN—180				
			PROJECT : —		CLASSIFICATION : Exd IIB IP65 ZONE 1&2 T6				
			P.O No. : —		WT.:11KGS (APPROX.)	MATL.: LM-6	ITEM No.:	QTY.:	
			FINISH : EPOXY POWDER COATED AVIATION YELLOW		TOLERANCE : ±5mm SCALE N.T.S		FOR INFORMATION ONLY		
CMRI : CMRI/T/P/H173 DT.04.02.1999		IS:13346/04 (IEC:60079-0/00)		NAME	DATE				
CCE : R1(1)136/BALIGA/12-XIV DT.28.02.05		IS:2148/04 (IEC:60079-1/01)		REV-1					
F	BIS : CM/L-0364341		IS:12063/87 (IEC:60529/89)		REV-2		SHEET 1 OF 1		
	 Baliga Lighting Equipments Private Limited, KOVILAMBAKKAM, CHENNAI-600117, INDIA.		DRN. S.S 18.03.09		DRG. No.		REV		
			CHKD.		QEFAWN0001		0		
APPD.									

केन्द्रीय खनन एवं ईंधन अनुसंधान संस्थान

(वैज्ञानिक तथा औद्योगिक अनुसंधान परिषद)
बरवा रोड, धनबाद - 826 001, झारखण्ड, भारत



ADDITIONAL FIRST COPY

Central Institute of Mining and Fuel Research

Formerly : Central Mining Research Institute
(Council of Scientific & Industrial Research)
BARWA ROAD, DHANBAD-826 001, JHARKHAND, INDIA

Registered Post/Courier Service

No. CIMFR/TC/SR/41203
I.D. No. 983/07

Dated: 28th March, 2008
CODE NO. FLP/221N/08

To
M/S. BALIGA LIGHTING EQUIPMENTS PVT. LTD.,
389, MEDAVAKKAM ROAD, KOVILAMBAKKAM,
CHENNAI-600 117

Sub: Supplementary Testing for **REVALIDATION** as per IS: 2148-2004 (IEC 60079-1/2001) of your enclosure for **Flameproof/Weatherproof (IP-65)** Neon Aviation Obstruction Luminaire, in cast aluminium alloy LM-6 construction, suitable for 75W 2.5KV 30mA Aviation Obstruction Lamp, designated by **Cat. No.: FAWN-180** for use in Zone 1 & 2 and Gas Groups: IIA & IIB atmosphere only.

- Report on (REVALIDATION)

Your Ref. No.: Appl. No.: CMRI/6/256/IIB

Dated: 27/12/2007

Dear Sir,

Please find enclosed the **Supplementary Test Report** for **REVALIDATION** of the above sample as per IS: 2148-2004.

The above apparatus was earlier certified as per IS: 2148-1981 vide CMRI Test Report No. CMRI/TC/P/H173 Dated: 04/02/1999 and subsequent supplementary/Addendum report nos. mentioned in the schedule of this report.

Charges of **Rs. 10,214/-** (Rupees ^{nine} ~~Ten~~ ^{three} ~~thousand~~ ^{Three} ~~Two~~ ^{Fifteen} ~~hundred~~ ^{Fourteen} ~~Fourteen~~) only including applicable service charges involved towards the testing /issuing the schedule have been adjusted against the advance deposit made by you

Kindly arrange to collect the sample within 90 days from the date of receipt of this letter failing which CIMFR would dispose off the sample by public auction without any further NOTICE to you.

Kindly acknowledge receipt.
Thanking you,

Yours faithfully,


(G. M. PRASAD)

HEAD OF THE DEPARTMENT
TESTING CELL

Encl.: As above
Suppl. Report for Revalidation in Triplicate
Copy to: 1. Head, Flame & Explosion Lab.
2. Bill Section.

Page 1 of 6

फोन-निदेशक Director
Ph.: 0091-326-2202326/2203043

पी० ए० एक्स PAX
Ph.: 0091-326-2203010/2203070/2203090/2205045/2209041

फैक्स FAX
0091-326-2201442/2202429/2204339/2203156

e-mail : dcmrips@yahoo.co.in, dcmri@csir.res.in • Website : www.cmriindia.nic.in

कार्यालय के दिन : सोमवार से शुक्रवार तक Working days : Monday to Friday