

FLPW 1095 E

FLAME PROOF CFL EMERGENCY LIGHT FITTING



Mechanical Data

Material	: Aluminium LM6
Weight	: 9.0 Kg (Approx.,)
IP Protection	: IP 65 to IS: 13947 / 93
Finish	: Anti corrosive epoxy powder coated
Cable Entry	: 2 x (0.75 " ET / 0.5 NPT / BSP / M20)
Glass	: Toughened borosilicate type 'A'
Wireguard	: 5 mm Welded steel construction
Reflector	: Mild Steel - vitreous enamel
Suspension	: Type 'B' ceiling bracket
Hinge	: 'J' bolt arrangement
Gasket	: Neoprene
Hardware	: Stainless Steel (SS-304)

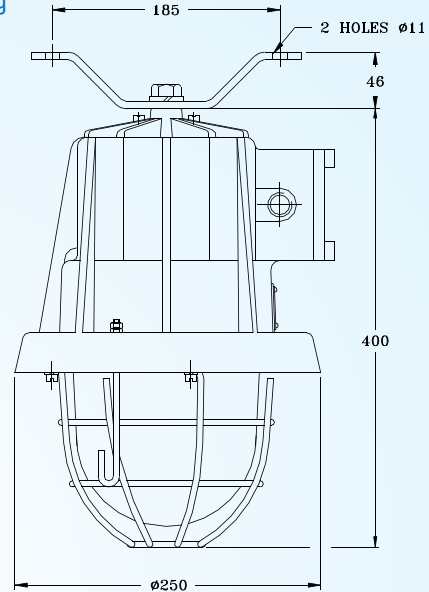
Electrical Data

Voltage	V : 230 V AC , 50 Hz
Lamp Wattage	W : 8 W / 11 W / 18 W / 22 W CFL (4 pin)
Battery	: Ni-cd or Ni-MH or sealed lead acid
Wiring	: Fibreglass class F insulated 1.5 sq.mm Stranded copper
Max. Cable size	: 3C x 6 sq.mm
Earthing	: External - 2 Nos - M6 Internal - 1 No - M5

Description

Explosion proof emergency light fitting with an integral control gear. A toughened clear glass which is cemented into a retaining ring is bolted to the main body. The control gear consists of batteries PCB and transformer along with the lamp holder is mounted on suitable brackets for ease of wiring and proper heat dissipation. Neoprene gaskets are provided for weatherproof protection.

GA Drawing



All dimensions are in mm

Type of protection	Flame Proof - Exd
Area Classification	Zone 1 & 2
Gas Groups	Group I, II A ,II B
Apparatus Standard	IS - 2148 / 81 IS- 2206 Part I
CMRI Certificate No.	CMRS / TC / 1938
Approvals	CCE
Wattage Rating	8 W/ 11 W / 18 W /22 W CFL

Salient Features

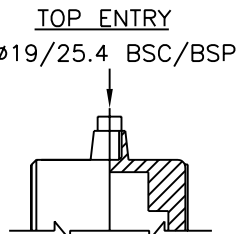
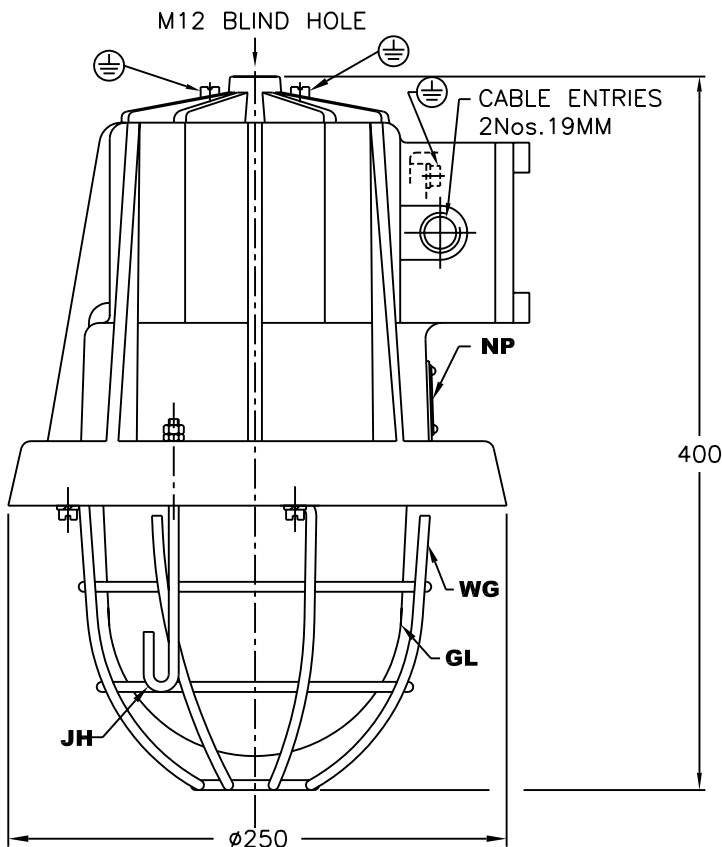
- A** Extended battery backup time.
- B** Charging, charge cutoff & low battery cutoff circuits are incorporated for enhancing battery life.

Battery Utilization Chart (in hours)

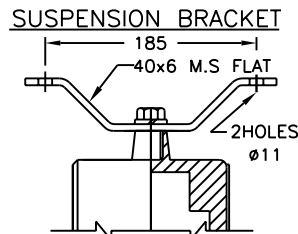
Battery	8 W/ 11 W	18 W	22 W
6 v / 2 Ah	1.5	1.2	1.0
6 v / 2 Ah	3.0	2.0	1.8
6 v / 2 Ah	4.0	3.0	2.5
6 v / 2 Ah	5.0	4.0	3.5

SUSPENSION FOR MOUNTING OF WELL GLASS FITTING

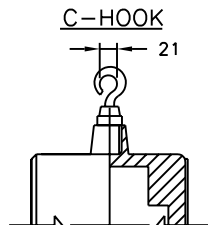
OPTIONALS



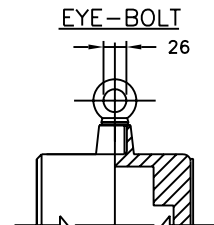
TYPE "A"



TYPE "B"

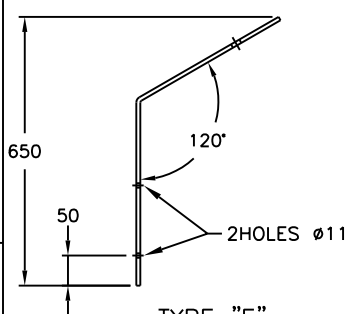


TYPE "C"

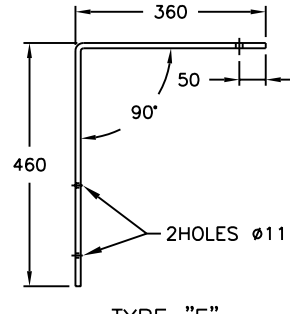


TYPE "D"

WALL MOUNTING BRACKET(50x10 MS FLAT)

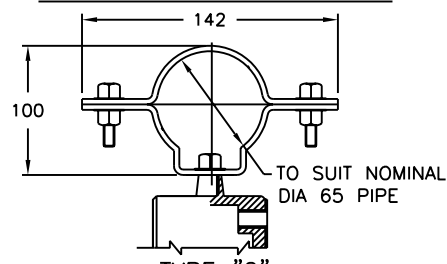


TYPE "E"



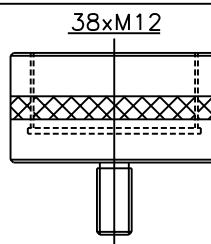
TYPE "F"

PIPE MOUNTING SUSPENSION

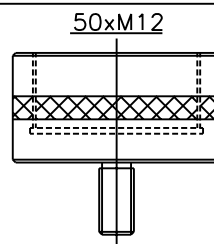


TYPE "C"

ADAPTORS

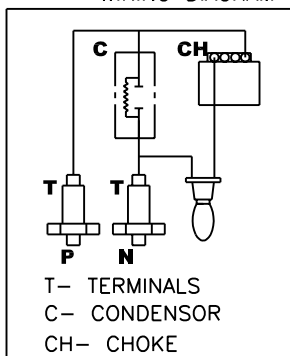


TYPE "A"



TYPE "B"

WIRING DIAGRAM



T- TERMINALS
C- CONDENSOR
CH- CHOKE

NOTE:

- GL -WELLGLASS
(TOUGHENED BOROSILICATE CLEAR GLASS, TYPE "A")
- WG -WIRE GUARD (MS PAINTED)
- JH -"J" HOOK
- LAMP HOLDER -ES PORCELAIN
- INTERNAL REFLECTOR -VITREOUS ENAMEL
- NP -NAME & WARNING PLATE(SS)
- HARDWARES -SS304
- INDEPENDENT EARTH TERMINALS PROVIDED
- ALL DIMENSIONS ARE IN MM.

CUSTOMER :	TITLE :	FLAMEPOOF EMERGENCY LUMINAIRE	
CONSULTANT :	CAT NO :	FLPW-1095 E	
PROJECT :	CLASSIFICATION :	Exd IIB IP65 ZONE 1&2	
P.O.No. :	WT: 9Kgs (APPROX.)	MATL: LM-6	ITEM No.: QTY.:
FINISH : EPOXY POWDER COATED (SHADE-631 OF IS:5)	TOLERANCE	±5mm	
	SCALE	N.T.S	
CMRI : CMRI/TC/1938 DT:20.01.93	IS : 13947/93	NAME	DATE
CCE : R1(1)136/BALIGA/XV-12 DT:10.01.2000	IS : 2148/81	REV-1	
DGFAS : 66/13/S/1323/99-TECH DT:01.02.2000	IS : 2206/84	REV-2	
		DRN.	S.S 23.07.0
		CHKD.	
		APPD.	
		DRG. NO.	GFLPW10951
		REV	0



Baliga Lighting Equipments Private Limited
KOVILAMBAKKAM, CHENNAI-600 117, INDIA.

FOR INFORMATION ONLY

SHEET 1 OF 1