

EPSS 1560- 61

FLAME PROOF PLUG & SOCKET



Mechanical Data

Material	: Aluminium LM6
Weight	: 24 Kg (Socket) + 1.0 Kg (Plug) (Approx)
IP Protection	: IP 65 IS:13947 (Part-1)-1993/IEC60529/1989
Finish	: Anti corrosive epoxy powder coated
Cable Entry	: 2 * 1.25" ET / M32 / 1"NPT
Mounting	: Wall mounting
Gasket	: Neoprene
Hardware	: Stainless Steel (SS-304)

Electrical Data

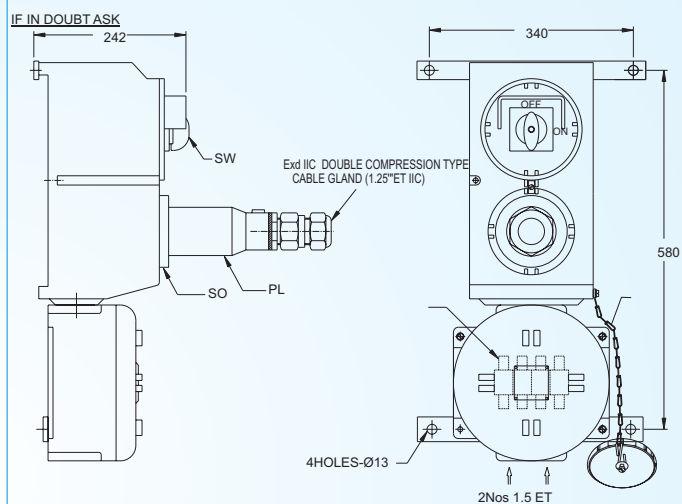
Voltage	: 440V, 50 Hz AC
Current	: 63A
No. Of Poles	: 3 P + N
No. Of Pins	: 3P +N + E (5 pins)
Earthing	: External : 2 Nos - M6 Internal : 1 No - M5

Description

Explosion proof plug and socket with an integral terminal chamber. A switch is interlocked with the socket such that it is not possible to remove the plug without switching OFF or to insert the plug in the ON position.

A spring loaded shutter protects the socket when not in use. The enclosures are precision machined to facilitate smooth and reliable contact of the pins. Quality neoprene gaskets provide reliable weatherproof protection.

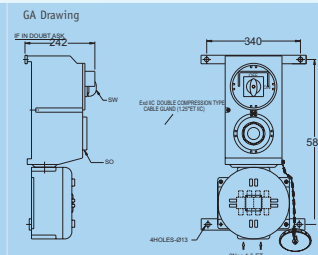
GA Drawing



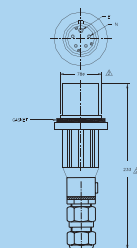
Type of protection	Flame Proof - Exd
Area Classification	Zone 1 & 2
Gas Groups	Group I, II A, II B, II C
Apparatus Standard	IS:2148-2004 (IEC 60079 IS: 1336-2004)
CIMFR Certificate No.	CIMFR/TC/SR/H1269
Approvals	CCE, BIS
Temp Rating	T6

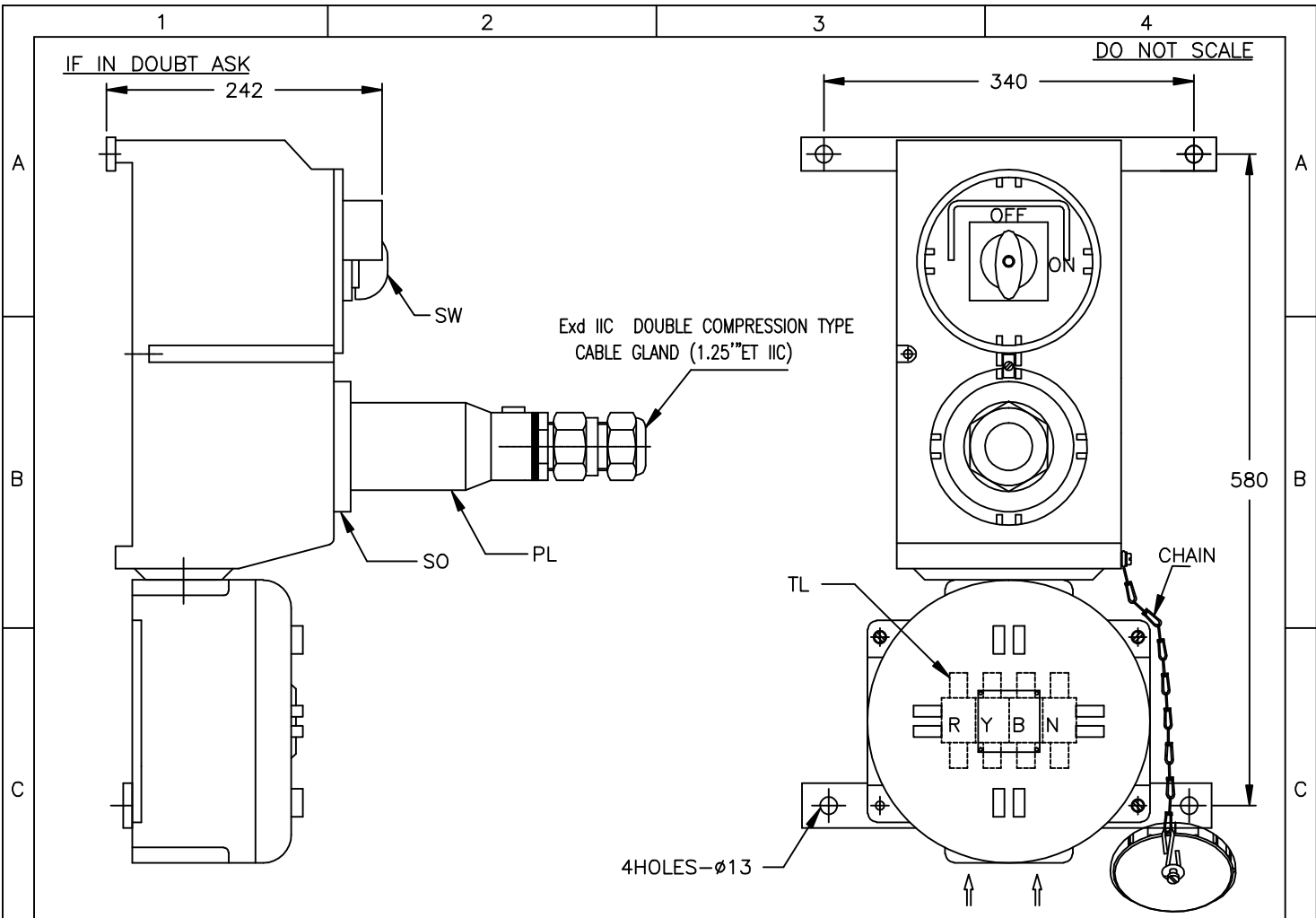
Options Available:

EPSS 1560 - Socket only



EPSS 1561 - Plug only





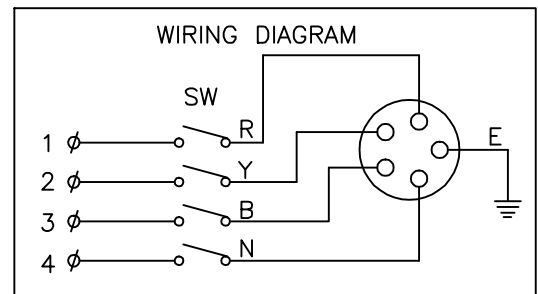
NOTES:

- SW -ROTARY SWITCH (RATING-63A, 440V, 4P)
- SO -SOCKET (RATING-63A, 440V, 3PIN+N+E)
- PL -PLUG (RATING 63A, 440V, 3PIN+N+E)
- TL - BUS BAR TYPE TERMINALS 4Nos. 50sq.mm (ELMEX MAKE)
- EARTHING -2Nos. EXTERNAL & 1No. INTERNAL
- NP -NAME & WARNING PLATE (SS)
- HARDWARE -SS304
- GASKET -NEOPRENE

SWITCH AND PLUG & SOCKET ARE MECHANICALLY INTER LOCKED

- * TO PREVENT THE OPERATION OF SWITCH WITHOUT PLUG
- * TO PREVENT REMOVAL OF PLUG IN "ON" CONDITION

ALL DIMENSIONS ARE IN MM.



CUSTOMER :		TITLE : EXPLOSIONPROOF/WP 63A 440V TPN 5PIN (3P+N+E) SWITCH SOCKET & PLUG	
CONSULTANT :		CAT No. : EPSS-1560/1561	
PROJECT :		CLASSIFICATION : Exd IIC IP65 ZONE 1&2 T6	
P.O.No. :		WT.: 28Kgs (APPROX)	MATL.: AL. LM-6
FINISH : EPOXY POWDER COATED LEMON YELLOW (SHADE-355) OF IS:5		TOLERANCE : ±5mm SCALE N.T.S	
CMRI : CMRS/TC/297 DT. 26.05.1992	IS :13346/04 (IEC:60079-0/00)	NAME	DATE
CCE : A/P/HQ/MH/104/788 DT. 14.07.2004	IS :2148/04(IEC:60079-1/01)	REV-1	
BIS : CM/L-0364341	IS :12063/87 (IEC:60529/89)	REV-2	
		FOR APPROVAL	
		DRN. S.S	19.05.09
		CHKD.	
		APPD.	
		DRG. NO.	QEEPSS1560
		REV	0



Baliga Lighting Equipments Private Limited,
KOVILAMBAKKAM, CHENNAI-600 117, INDIA.

केन्द्रीय खनन एवं ईंधन अनुसंधान संस्थान

(वैज्ञानिक तथा औद्योगिक अनुसंधान परिषद)
बरवा रोड, धनबाद - 826001, झारखण्ड, भारत



ADDITIONAL FIRST COPY

Central Institute of Mining and Fuel Research

Formerly : Central Mining Research Institute
(Council of Scientific & Industrial Research)
BARWA ROAD, DHANBAD-826 001, JHARKHAND, INDIA

REGISTERED POST/ COURIER SERVICE

No. CIMFR/TC/SR/H/269
I.D. No. 938/07

Dated: 31st March, 2008
CODE NO. FLP/204 W/08

To
M/S. BALIGA LIGHTING EQUIPMENTS PVT. LTD.,
389, MEDAVAKKAM ROAD, KOVILAMBAKKAM,
CHENNAI-600 117

Sub: Supplementary Testing for **REVALIDATION** as per IS: 2148-2004 (IEC 60079-1/2001) of your **Flameproof cum Weatherproof Enclosure for Switch Socket Combined with Plug** in cast aluminium alloy LM-6 construction, 63A & 440Volts, 3 Pole + Neutral + Earth (5 Pin), designated by **Cat. No.: EPSS-1560/EPSS-1561** for use in Zone 1 & 2 and Gas Groups: IIC atmosphere only.

- Report on (REVALIDATION)

Your Ref. Appl. No.: **CMRI/6/204/IIC**

Dated: 15/12/2007

Dear Sir,

Please find enclosed the **Supplementary Test Report** for **REVALIDATION** of the above sample as per IS: 2148-2004.

The above apparatus was earlier certified as per IS: 2148-1981 vide CMRI Test Report No. CMRI/TC/H457, Dated: 29/10/1997.

Charges of **Rs. 17,304/- (Rupees Seventeen thousand Three hundred & Four only)** including applicable service charges involved towards the testing/issuing the schedule have been adjusted against the advance deposit made by you.

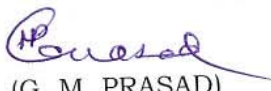
Kindly arrange to collect the sample within 90 days from the date of receipt of this letter failing which CIMFR would dispose off the sample by public auction without any further NOTICE to you.

Kindly acknowledge receipt.

Thanking you,

Yours faithfully,

Encl.: As above
Suppl. Report for Revalidation in Triplicate
Copy to: 1. Head, Flame & Explosion Lab.
2. Bill Section.


(G. M. PRASAD)
HEAD OF THE DEPARTMENT
TESTING CELL

Page 1 of 6

फोन-निदेशक Director
Ph.: 0091-326-2202326/2203043

पी० ए० एक्स PAX
Ph.: 0091-326-2203010/2203070/2203090/2205045/2209041

फैक्स FAX
0091-326-2201442/2202429/2204339/2203156

e-mail : dcmrips@yahoo.co.in, dcmri@csir.res.in • Website : www.cmriindia.nic.in

कार्यालय के दिन : सोमवार से शुक्रवार तक Working days : Monday to Friday